

PRODUCT FAMILY DATASHEET

DOWNLIGHT ALU EMERGENCY

Downlight luminaires with aluminum housing and integrated emergency lighting function



AREAS OF APPLICATION

- Emergency illumination of escape routes
- Antipanic lighting
- Buildings requiring up to 3 h emergency light operation
- Direct replacement for luminaires with compact fluorescent lamps
- General illumination
- Public areas
- Corridors, stairways, entrance areas
- Shops

PRODUCT BENEFITS

- Seamless integration of luminaires with emergency lighting function into general lighting
- Easy wiring thanks to included prewired driver and battery for Emergency lighting function
- Simple testing of luminaires with emergency lighting function thanks to integrated automatic test function
- Convenient visualization of results of automatic test with an included control LED
- Operation of integrated emergency lighting function with long life LiFePO4 battery with 3h battery discharge time
- High luminous efficacy in normal operation
- Energy savings of up to 60 % compared to luminaires that use CFL
- Very homogenous light
- Functional design
- Easy installation with fast connection
- 3 years guarantee

PRODUCT FEATURES

- Luminaire suited for normal lighting and emergency lighting



- Certified according to European norms (EN 60598-1:2015; EN 60598-2-22:2014)
- Self-contained luminaires
- Emergency lighting function: battery discharge time of 3 h
- Function test of emergency lighting: automatic (AT)
- Battery technology: LiFePO4
- Diameter of required ceiling cut-out: 150 mm or 200 mm (depending on version)
- Type of protection: IP44

TECHNICAL DATA

Product description	Electrical data			Luminaire control gear data				
	Nominal wattage	Nominal voltage	Mains frequency	ECG - Length	ECG - Width	Max. no. of lum. on circuit break. B16 A	Max. no. of lum. on circuit break. C10 A	Max. no. of lum. on circuit break. C16 A
DL ALU EM DN150 14 W 3000 K AT 3H WT	14.00 W	220...240 V	50/60 Hz	83 mm	39 mm	94	75	120
DL ALU EM DN150 14 W 4000 K AT 3H WT	14.00 W	220...240 V	50/60 Hz	83 mm	39 mm	94	75	120
DL ALU EM DN150 14 W 6500 K AT 3H WT	14.00 W	220...240 V	50/60 Hz	83 mm	39 mm	75	57	91
DL ALU EM DN200 25 W 3000 K AT 3H WT	25.00 W	220...240 V	50/60 Hz	111 mm	45 mm	75	57	91
DL ALU EM DN200 25 W 4000 K AT 3H WT	25.00 W	220...240 V	50/60 Hz	111 mm	45 mm	50	40	64
DL ALU EM DN200 25 W 6500 K AT 3H WT	25.00 W	220...240 V	50/60 Hz	111 mm	45 mm	50	40	64
DL ALU EM DN200 35 W 3000 K AT 3H WT	35.00 W	220...240 V	50/60 Hz	138 mm	45 mm	50	40	64
DL ALU EM DN200 35 W 4000 K AT 3H WT	35.00 W	220...240 V	50/60 Hz	138 mm	45 mm	37	31	50
DL ALU EM DN200 35 W 6500 K AT 3H WT	35.00 W	220...240 V	50/60 Hz	138 mm	45 mm	34	29	46

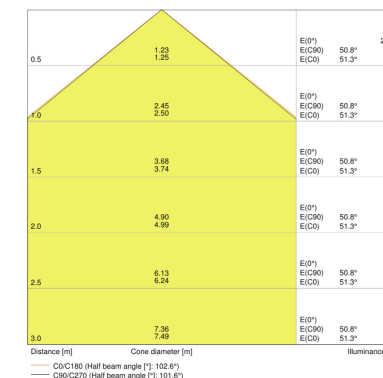
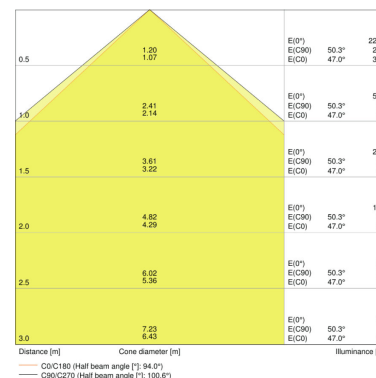
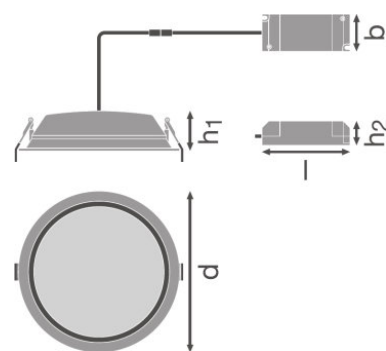
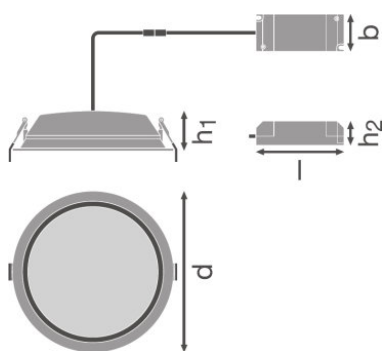
Product description	Photometrical data			Light technical data	Dimensions & weight				Colors & materials
	Luminous flux	Light color (designation)	Color rendering index Ra	Beam angle	Diameter	Height	Product weight	Mounting diameter	Body material
DL ALU EM DN150 14 W 3000 K AT 3H WT	1190 lm	Warm White	>80	100.00 °	160.0 mm	52.0 mm	710.00 g	150 mm	Aluminum
DL ALU EM DN150 14 W 4000 K AT 3H WT	1260 lm	Cool White	>80	100.00 °	160.0 mm	52.0 mm	710.00 g	150 mm	Aluminum
DL ALU EM DN150 14 W 6500 K AT 3H WT	1330 lm	Cool Daylight	>80	100.00 °	160.0 mm	52.0 mm	710.00 g	150 mm	Aluminum
DL ALU EM DN200 25 W 3000 K AT 3H WT	2250 lm	Warm White	>80	100.00 °	215.0 mm	61.0 mm	950.00 g	200 mm	Aluminum
DL ALU EM DN200 25 W 4000 K AT 3H WT	2370 lm	Cool White	>80	100.00 °	215.0 mm	61.0 mm	950.00 g	200 mm	Aluminum
DL ALU EM DN200 25 W 6500 K AT 3H WT	2370 lm	Cool Daylight	>80	100.00 °	215.0 mm	61.0 mm	950.00 g	200 mm	Aluminum
DL ALU EM DN200 35 W 3000 K AT 3H WT	2975 lm	Warm White	>80	100.00 °	215.0 mm	61.0 mm	950.00 g	200 mm	Aluminum
DL ALU EM DN200 35 W 4000 K AT 3H WT	3150 lm	Cool White	>80	100.00 °	215.0 mm	61.0 mm	950.00 g	200 mm	Aluminum
DL ALU EM DN200 35 W 6500 K AT 3H WT	3150 lm	Cool Daylight	>80	100.00 °	215.0 mm	61.0 mm	950.00 g	200 mm	Aluminum

Product description	Housing color	Product color	Cover material	Temperatures & operating conditions	Lifespan			
				Ambient temperature range	Number of switching cycles	Lifespan L70/B50 at 25 °C	Lifespan L80/B10 at 25 °C	Lifespan L90/B10 at 25 °C
DL ALU EM DN150 14 W 3000 K AT 3H WT	White	White	Polymethylmethacrylate (PMMA)	+5...+40 °C	100000	50000 h	45000 h	30000 h
DL ALU EM DN150 14 W 4000 K AT 3H WT	White	White	Polymethylmethacrylate (PMMA)	+5...+40 °C	100000	50000 h	45000 h	30000 h
DL ALU EM DN150 14 W 6500 K AT 3H WT	White	White	Polymethylmethacrylate (PMMA)	+5...+40 °C	100000	50000 h	45000 h	30000 h

Product description	Housing color	Product color	Cover material	Temperatures & operating conditions	Lifespan			
				Ambient temperature range	Number of switching cycles	Lifespan L70/B50 at 25 °C	Lifespan L80/B10 at 25 °C	Lifespan L90/B10 at 25 °C
DL ALU EM DN200 25 W 3000 K AT 3H WT	White	White	Polymethylmethacrylate (PMMA)	+5...+40 °C	100000	50000 h	45000 h	30000 h
DL ALU EM DN200 25 W 4000 K AT 3H WT	White	White	Polymethylmethacrylate (PMMA)	+5...+40 °C	100000	50000 h	45000 h	30000 h
DL ALU EM DN200 25 W 6500 K AT 3H WT	White	White	Polymethylmethacrylate (PMMA)	+5...+40 °C	100000	50000 h	45000 h	30000 h
DL ALU EM DN200 35 W 3000 K AT 3H WT	White	White	Polymethylmethacrylate (PMMA)	+5...+40 °C	100000	50000 h	45000 h	30000 h
DL ALU EM DN200 35 W 4000 K AT 3H WT	White	White	Polymethylmethacrylate (PMMA)	+5...+40 °C	100000	50000 h	45000 h	30000 h
DL ALU EM DN200 35 W 6500 K AT 3H WT	White	White	Polymethylmethacrylate (PMMA)	+5...+40 °C	100000	50000 h	45000 h	30000 h

Product description	Capabilities		Certificates & standards	
	Dimmable	Type of connection	Protection class	Type of protection
DL ALU EM DN150 14 W 3000 K AT 3H WT	No	Screw terminal, 2-POLE (N, L, L switchable)	II	IP44
DL ALU EM DN150 14 W 4000 K AT 3H WT	No	Screw terminal, 2-POLE (N, L, L switchable)	II	IP44
DL ALU EM DN150 14 W 6500 K AT 3H WT	No	Screw terminal, 2-POLE (N, L, L switchable)	II	IP44
DL ALU EM DN200 25 W 3000 K AT 3H WT	No	Screw terminal, 2-POLE (N, L, L switchable)	II	IP44
DL ALU EM DN200 25 W 4000 K AT 3H WT	No	Screw terminal, 2-POLE (N, L, L switchable)	II	IP44
DL ALU EM DN200 25 W 6500 K AT 3H WT	No	Screw terminal, 2-POLE (N, L, L switchable)	II	IP44
DL ALU EM DN200 35 W 3000 K AT 3H WT	No	Screw terminal, 2-POLE (N, L, L switchable)	II	IP44

Product description	Capabilities		Certificates & standards	
	Dimmable	Type of connection	Protection class	Type of protection
DL ALU EM DN200 35 W 4000 K AT 3H WT	No	Screw terminal, 2-POLE (N, L, L switchable)	II	IP44
DL ALU EM DN200 35 W 6500 K AT 3H WT	No	Screw terminal, 2-POLE (N, L, L switchable)	II	IP44

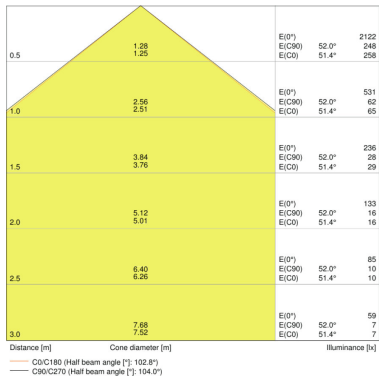


DL ALU EM DN150 14 W 3000 K AT 3H WT, DL ALU EM DN150 14 W 4000 K AT 3H WT, DL ALU EM DN150 14 W 6500 K AT 3H WT

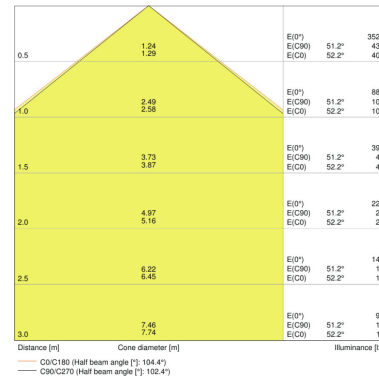
DL ALU EM DN200 25 W 3000 K AT 3H WT, DL ALU EM DN200 25 W 4000 K AT 3H WT, DL ALU EM DN200 25 W 6500 K AT 3H WT, DL ALU EM DN200 35 W 3000 K AT 3H WT, DL ALU EM DN200 35 W 4000 K AT 3H WT, DL ALU EM DN200 35 W 6500 K AT 3H WT

DL ALU EM DN150 14 W 3000 K AT 3H WT

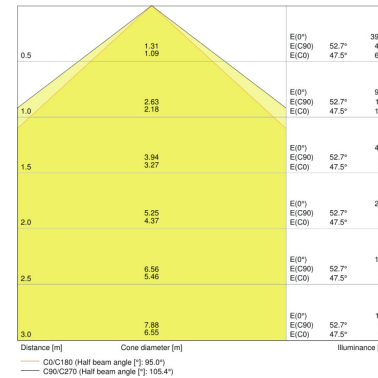
DL ALU EM DN150 14 W 4000 K AT 3H WT



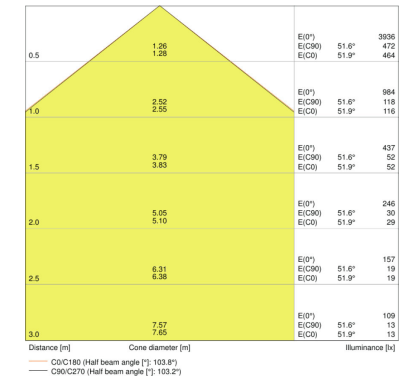
DL ALU EM DN150 14 W 6500 K AT 3H WT



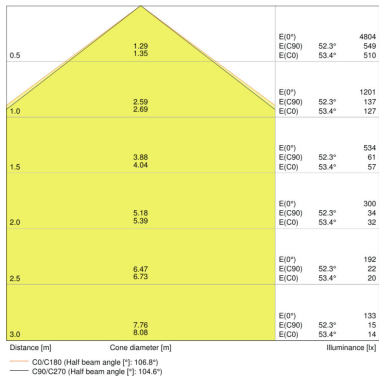
DL ALU EM DN200 25 W 3000 K AT 3H WT



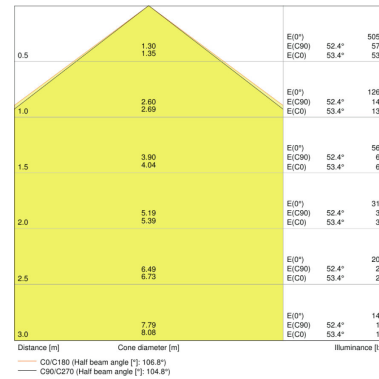
DL ALU EM DN200 25 W 4000 K AT 3H WT



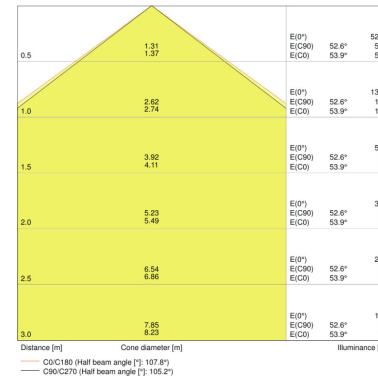
DL ALU EM DN200 25 W 6500 K AT 3H WT



DL ALU EM DN200 35 W 3000 K AT 3H WT



DL ALU EM DN200 35 W 4000 K AT 3H WT



DL ALU EM DN200 35 W 6500 K AT 3H WT

EQUIPMENT / ACCESSORIES

- Control LED with a holder for recessed installation included

APPLICATION ADVICE

For more detailed application information and graphics please see product datasheet.

LOGISTICAL DATA

Product code	Packaging unit (Pieces/Unit)	Dimensions (length x width x height)	Gross weight	Volume
4058075204218	Shipping carton box 8	656 mm x 456 mm x 251 mm	4955.00 g	75.08 dm ³
4058075204232	Shipping carton box 8	656 mm x 456 mm x 251 mm	4955.00 g	75.08 dm ³
4058075204256	Shipping carton box 8	656 mm x 456 mm x 251 mm	4955.00 g	75.08 dm ³
4058075204270	Shipping carton box 8	656 mm x 456 mm x 251 mm	6875.00 g	75.08 dm ³
4058075204294	Shipping carton box 8	656 mm x 456 mm x 251 mm	6875.00 g	75.08 dm ³
4058075204317	Shipping carton box 8	656 mm x 456 mm x 251 mm	6875.00 g	75.08 dm ³
4058075204331	Shipping carton box 8	656 mm x 456 mm x 251 mm	6875.00 g	75.08 dm ³
4058075204355	Shipping carton box 8	656 mm x 456 mm x 251 mm	6875.00 g	75.08 dm ³
4058075204379	Shipping carton box 8	656 mm x 456 mm x 251 mm	6875.00 g	75.08 dm ³

The mentioned product code describes the smallest quantity unit which can be ordered. One shipping unit can contain one or more single products. When placing an order, for the quantity please enter single or multiples of a shipping unit.

REFERENCES / LINKS

For Guarantee see

- ▶ www.ledvance.com/guarantee

DISCLAIMER

Subject to change without notice. Errors and omission excepted. Always make sure to use the most recent release.